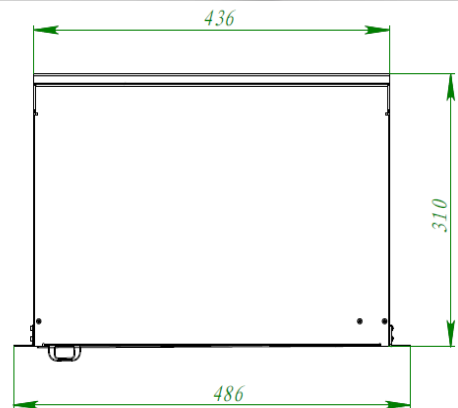
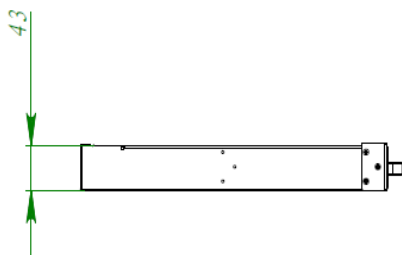
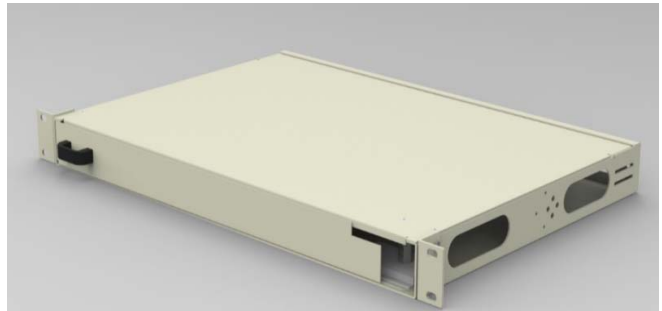
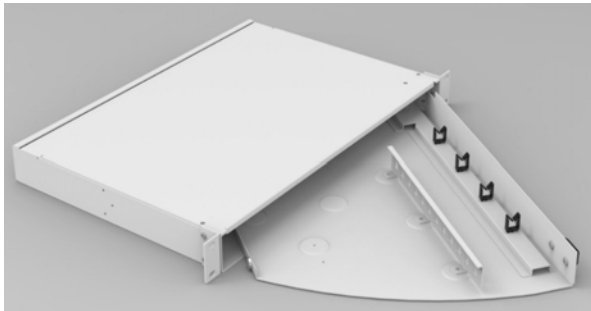
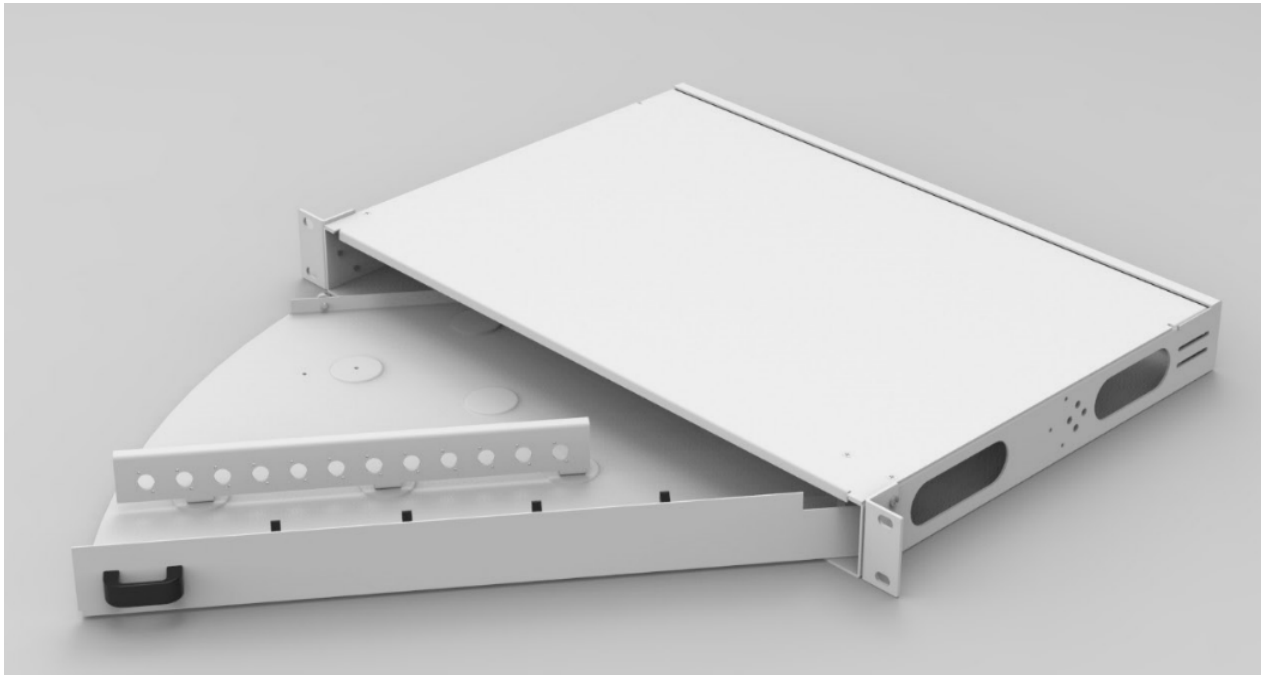


Rack mount patch panel Part No.:TK0701-01-1U



**Features**

- Suitable for SC,LC,FC,ST,E2000
- Easy to replace adapter plate
- Outline Dimension((L×W×H)mm : 486×310×43
- Material: Steel
- Thickness:1.0mm
- Colour:RAL7035,RAL9007

**Order information**

Part No.	Adapter	Capacity	Accessory
TK0701-01-1USCS12-00	SCS:SC Simplex	12:12ports,12fiber	00:without adaptor & pigtail
TK0701-01-1ULCD24-10	LCD:LC Duplex	24ports,48fiber	10:with adaptor, without pigtail
TK0701-01-1UFCS24-11	FCS:FC Simplex	24ports,24fiber	11:with adaptor, with pigtail